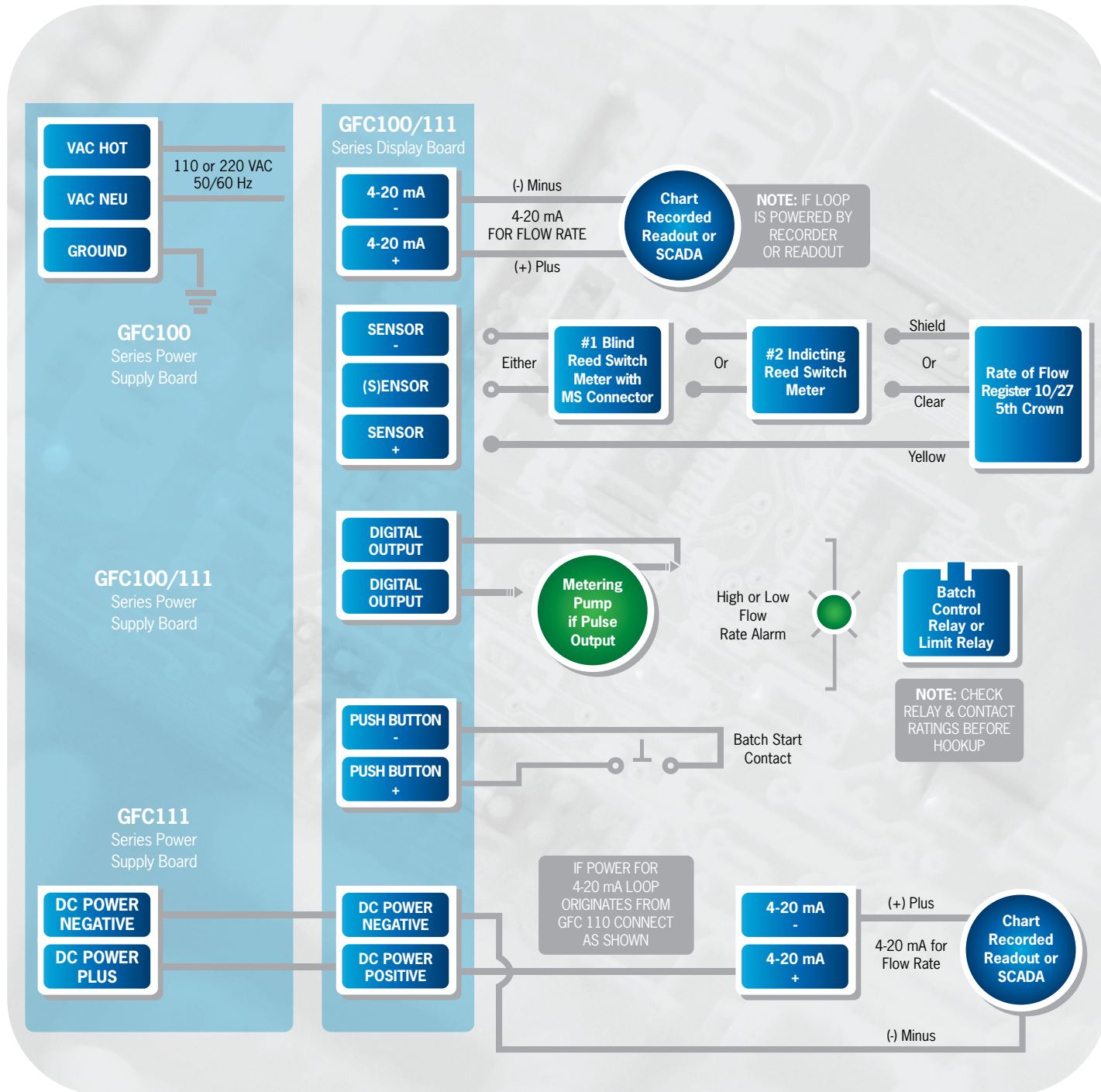


# FLOW METER TO GFC 110/111 WIRING CONFIGURATION



# RATE OF FLOW & TOTALIZER DISPLAY



## DESCRIPTION

Regardless of the mode, FLOW or VOLUME, or the type of output chosen, GFC 110/111 stores up to 64 totals for each 24 hour period which are viewable on its liquid crystal display.

Better accuracy is provided by the GFC 110/111 with field calibration capability up to 10 points (FLOW only). After calibration the operator may switch quickly between a single K-FACTOR to shift the curve up to 10 points.

When you need a perfect flow rate and volume measurement solution with excellent accuracy, reliability, industrial grade performance with durability that makes for a long period between service, then GFC 110/111 is your answer. It will work with most existing flow meters and all Master Meter products.

## FEATURES:

- \* Flexible Power Choices Battery, 110V AC 50/60 HZ
- \* Field Calibration for Superior Accuracy Adjustment
- \* Flexible Output Configurable for;
  - \* Rate Alarm
  - \* High or Low Alarm
  - \* Hysteresis of +/- 1%
  - \* Batch, Limit or Pulse Output
- \* Integral Data Logging of 64 Totalization Measurements for Every 24 Hour Period
- \* Accepts Input from Master Meter Flow Meter Reed Switch Pulse or Transistor Contact Register
- \* One 7 Digit Flow Rate Indication
- \* Three 7 Digit Totals, One Non-Reset and Two Re-Settable
- \* Accepts Single K-FACTOR or 10 Point Curve
- \* Selection of Flow Unit Display: Gallons, Cubic Feet, Cubic Meters, Acre Feet, Liters, Milliliters
- \* RPM (for Speed Indicator) Rate Displayed per: Second, Minute, Hour, Day
- \* Alarm Output for: Rate Alarm, high or low, Batch Output with Start or Resume, Pulse Output up to 300 Pulses per Minute for Metering Pump/Remote Totalization
- \* Non-Volatile Memory for Total & Parameters. Security Lock/Unlock to Change Settings
- \* Programmable Display Sleep Mode to Save Power with Battery Low Indicator
- \* Three 7 Digit Totals, One Non-Reset and Two Re-Settable

**Master Meter, Inc.**  
101 Regency Parkway, Mansfield, TX 76063  
Toll Free: 800-765-6518 • Main Line: 817-842-8000 • FAX: 817-842-8100  
www.mastermeter.com

©2007 Master Meter, Inc. All rights reserved. DIALOG, INTERPRETER, and Master Meter are registered trademarks of Master Meter, Inc. Master Meter reserves the right to make modifications to the products described herein at any time and without notice. U.S. Patent Nos. 7,135,986; 6,819,292; 6,954,178; and others pending.

5750480707



Reading the Future™



Reading the Future™

## TECHNICAL SPECIFICATIONS:

Operating temperature 20 C to +70 C

**Model GFC 110:** 110 VAC 50/60 Hz. external power. Provides 24 VDC for 4 20 mA output and to power the Master Meter Reed & Opto-coupler style registers.

**Model GFC 111:** Battery life Over 3 years typical usage. In many cases B close to the shelf life of the battery. Not suitable for Master Meter Opto coupler register unless register is externally powered.

### Push Buttons

There are three buttons: SET (square), UP (up arrow) and RIGHT (right arrow)  
(See instruction manual for usage):



- \* SET is used to enter and exit menus and confirm options chosen
- \* UP is used to change the data
- \* RIGHT is used to move the cursor (blinking digit) to the right

### Inputs

**GFC 110 Series has two inputs:**

- \* Accepts any Master Meter register output (rate of flow or reed switch).
- \* Start/resume input. This input is used for batch and limit applications with the output of GFC Totalizer when programmed as batch or limit.

### Outputs

**The series has one output which is 100VDC/100mA DC open drain (sinking) with reverse polarity protection. It can be programmed to be:**

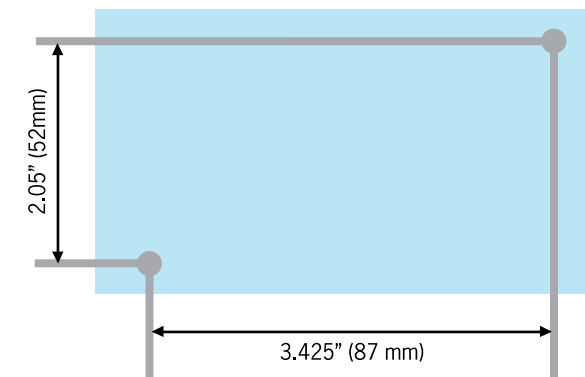
- \* Rate alarm, high or low, with +/- 1% hysteresis.
- \* Batch total
- \* Limit total. This feature can limit the total for any rolling number of days programmed.
- \* Pulse output. This feature is intended for use with metering/dosing pumps or input to another totalizer device.
- \* 4-20 mA output externally powered by user supplied 24 VDC on all models. 24 VDC power is available internally with 110 or 220 VAC 50/60 Hz. powered version.

### Displays

The liquid crystal display (LCD) has 7 digits with 1,2 or 3 decimal places and many icons. It shows rate, total and all the variables and option that can be set or programmed. The rate and the total are auto ranged which means that the FLOW/RPM computer controls automatically how many decimal places to display in order to have the best accuracy and resolution.

## MECHANICAL

Mounting GFC 110 on a wall requires an area of 4.75" X 2.6" (120mm X 65mm) and only two screws.



Note: The cable grips and the cables need additional space

### MULTI-JET K Factor for GFC 110

5/8" BLMJ	700.700
3/4" BLMJ	394.880
1" BLMJ	240.340
5/8" MJ Traditional	744.190
3/4" MJ Traditional	494.318
1" MJ Traditional	340.910
1-1/2" MJ Traditional	134.400
2" MJ Traditional	92.110

### BRONZE TURBINES

2" MMT & DBC	13.127
3" MMT & DBC	4.851
4" MMT & DBC	2.984
6" MMT & DBC	0.546
8" MMT & DBC	0.315

### CAST IRON TURBINES

2" WT	4.839
2" WTII	9.148
3" WT	4.638
3" WTII	8.571
4" WTII / WT	2.484
6" WTII / WT	0.559
8" WTII / WT	0.322
10" WTII / WT	0.221
12" WTII / WT	0.148