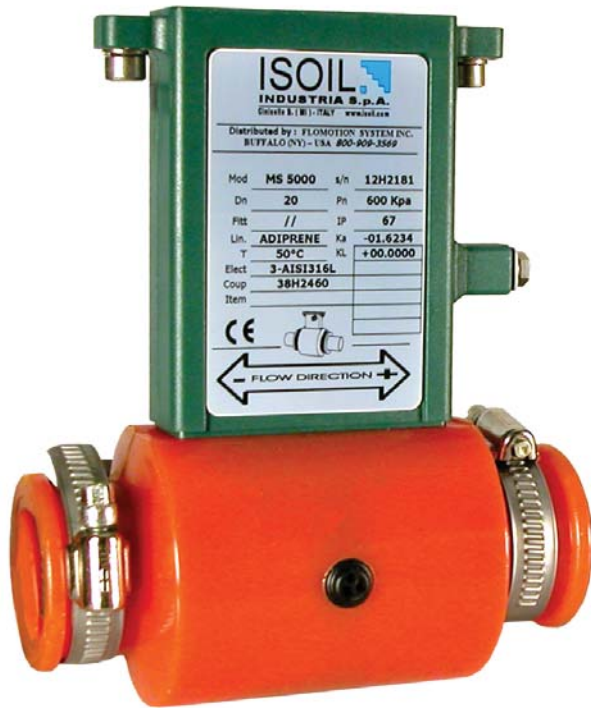


MS5000

ELECTROMAGNETIC FLOWMETERS

Unique Low-Cost Corrosion Resistant Design with Quick Hose Clamp Mounting

LOW COST and EASY TO INSTALL!



TYPICAL APPLICATIONS

- Polymers
- Wastewater
- Lime Slurries
- Dyes
- Admixtures
- Acids
- Caustics
- Slurries
- Water
- Starches
- Irrigation

The economical polyurethane MS5000 includes built-in o-ring seals and speedy "clamp-on" installation. The sensor can be equipped with a local or remote mounted converter.

MS5000 FEATURES

- Accuracy to $\pm 1\%$ of rate from 3 to 33 ft/sec.
- Five sizes from 1" to 3" Pipe Diameters.
- Flow ranges from 2.4 to 800 GPM.
- Standard pressure: 90 PSI.
- Volumetric flow rate measurement independent of fluid viscosity, density and temperature.
- No moving parts for zero maintenance.
- Bi-directional flow measurement.
- No pressure drop through sensor.
- Minimal straight pipe run required.
- Every sensor is factory wet-calibrated.

CONVERTER FEATURES



| | ML51 Loop Powered Converter | ML110 Basic Converter |
|------------------------------|--|--|
| Accuracy | 0.5% | 0.4% |
| Mounting | Sensor | Sensor or wall |
| Keypad | N | 3 Internal Keys |
| LCD Display | N | 2-Line Alphanumeric |
| LCD Backlight | N | N |
| 4-20mA Output | Y | Y (opt) |
| Pulse/Frequency/Alarm Output | 1 Assignable Open Collector | 2 Assignable Open Collector |
| Empty Pipe Detection | Y | Y |
| Interface | PC | PC |
| Batch Function | N | N |
| Power Supply | 4-20mA Current Loop (19-33VDC) 12VDC @ 12mA (pulse output only) | 90-265 VAC (Std) 10-63VDC 15-45VAC |
| Enclosure | Plastic NEMA 4X | Plastic NEMA 4X |

ELECTROMAGNETIC FLOWMETER

ENGINEERING SPECIFICATIONS

MS5000 Flow Sensor

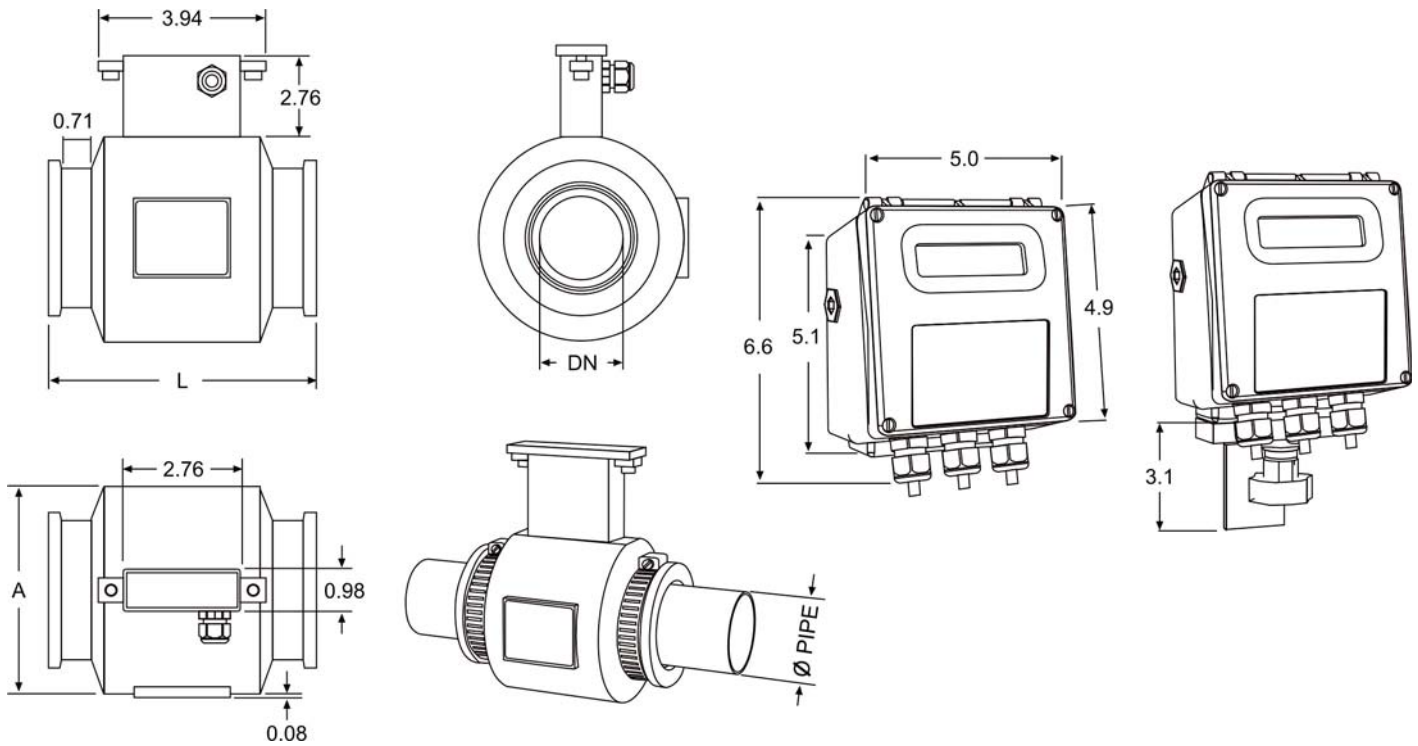
- Accuracy:
 - ±2% of rate from 3 to 33 ft/sec.
- Repeatability: ±0.5%
- Temperature:
 - Process: 32 to 122 °F
- Pressure: 90 PSI
- Lining Material: Polyurethane Rubber
- Body Material: Polyurethane Rubber
- Electrode Material: 316 S.S.*
- Number of Electrodes: 3 (2 Flow, 1 Ground)
- Environmental Rating:
 - Compact Version - IP67 / NEMA 6 Temporary Submersion
 - Remote Version - IP68 / NEMA 6P - Extended Submersion (sensor)
- Fluid Conductivity: 5 µS/cm (min)

* Hastelloy C or Titanium optional (other materials on request)

DIMENSIONS

| Size (in.) | Sensor Size (DN) | | |
|---------------------------------|------------------|-------|-------|
| | 1" | 2" | 3" |
| Min flow rate (gpm @ 1 ft/sec) | 2.37 | 9.49 | 24.30 |
| Max flow rate (gpm @ 33 ft/sec) | 77.9 | 311.5 | 797.4 |
| Length (L below) | 5.32 | 6.30 | 7.48 |
| Body Diameter (A below) | 3.15 | 4.88 | 6.06 |
| Pipe Diameter (Ø below) | 1.33 | 2.37 | 3.50 |

*DN = nominal diameter



MS5000 Sensor

Dimensions are in inches

FLOMOTION SYSTEMS Inc.

586 N. French Rd., Suite 6
 Buffalo NY 14228-2103
 Tel: 800-909-FLOW (3569)
 Tel: 716-691-3941
 Fax: 716-691-1253
 Email: info@flomotionsystems.com
 www.flomotionsystems.com

