

# MILLENNIUM 3

## CONVERTERS for Electromagnetic Flowmeters



ML110 Wall Mount Converter



ML210 Converter with Graphics Display (wall mount version)



ML250 Battery Powered Converter (wall mount version)



ML51 Loop Powered Converter



ML210 Converter (panel mount version)



ML210 Converter installed on an MS2500 Flow Sensor

### CONVERTER FEATURES

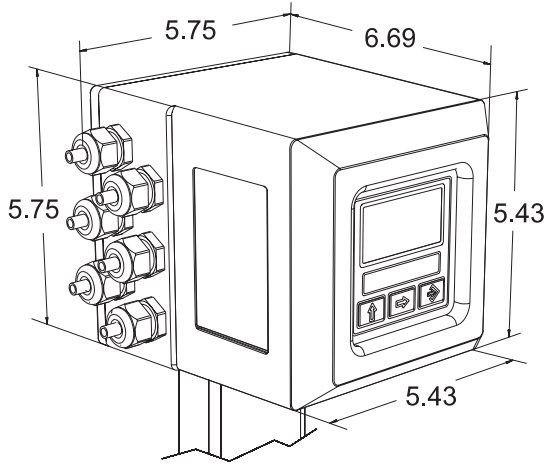
	ML51 Low Powered	ML110 Basic	ML210 Graphic	ML250 Battery Operated
Accuracy	0.5%	0.4%	0.2%	1.0%
Mounting	Sensor	Sensor or wall	Sensor, wall or panel	Sensor, wall or panel
Keypad	N	3 Internal Keys	3 Front Panel Keys	3 Front Panel Keys*
LCD Display	2-Line Alphanumeric (optional) **	2-Line Alphanumeric	Graphic Display	2-Line Alphanumeric*
LCD Backlight	N	N	Y	N
4-20mA Output	Y Loop Powered	Y (opt)	Y	N
Pulse/Frequency/Alarm Output	1 Assignable Open Collector	2 Assignable Open Collector	2 Assignable Open Collector	2 Assignable Open Collector (opt)
Empty Pipe Detection	Y	Y	Y	Y
Interface	PC	PC	PC (RS232, RS485, HART, Profibus DP optional)	PC, RS485 (opt), Wireless Cellular (FloWiz Model)
Batch Function	N	N	Y	N
Power Supply	4-20mA Current Loop (19-33VDC) 12VDC @12mA (pulse output only)	90-265 VAC (Std) 10-63VDC 15-45VAC	90-265 VAC (Std) 10-35VDC 18-63VDC/ 15-45VAC	Universal 15-265 VAC +10-40VDC 1 Lithium 'D' Cell (Std) 4 Lithium 'D' Cell (Opt)
Enclosure	Plastic NEMA 4X	Plastic NEMA 4X	Aluminum NEMA 6 Plastic (panel version) NEMA 12	Aluminum NEMA 6, Stainless Steel NEMA 6X (ML252 version*)

\*ML252 battery operated, NEMA 6X without keypad or display also available (sensor mount only).

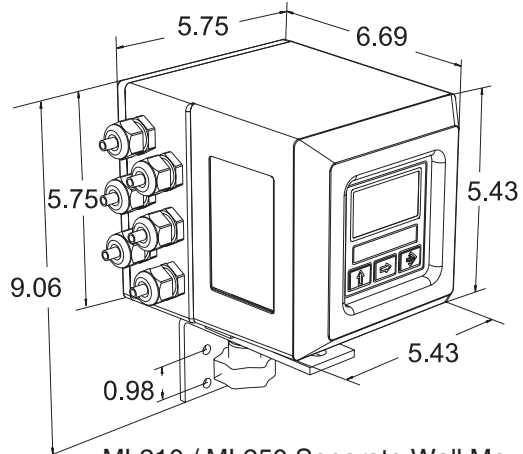
\*\*Only available with pulse mode output when using 12VDC supply.

ELECTROMAGNETIC FLOWMETER

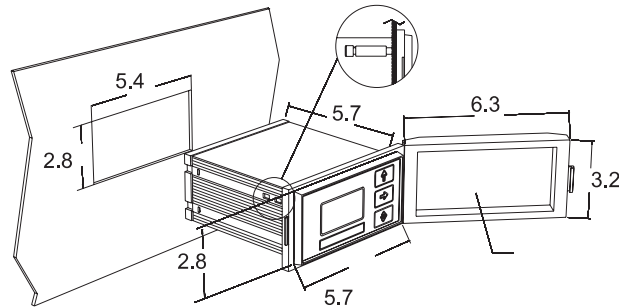
# FLOMOTION Millennium 3 Converter Dimensions



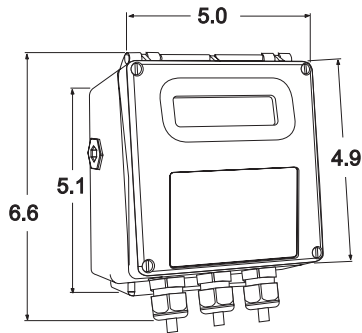
ML210 / ML250 Compact Sensor Mount



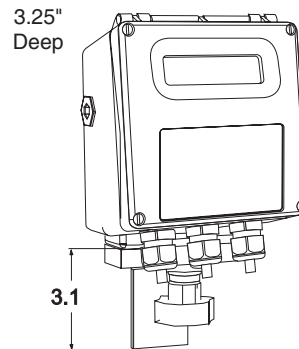
ML210 / ML250 Separate Wall Mount



ML210 Panel Mount



ML51 & ML110 Converter  
Compact Version



ML110 Converter  
Separate Version

Dimensions are in inches.  
Exterior dimensions are the same for the ML210 and ML250.

**FLOMOTION SYSTEMS Inc.**  
586 N. French Rd., Suite 6  
Buffalo NY 14228-2103  
Tel: 800-909-FLOW (3569)  
Tel: 716-691-3941  
Fax: 716-691-1253  
Email: [info@flomotionsystems.com](mailto:info@flomotionsystems.com)  
[www.flomotionsystems.com](http://www.flomotionsystems.com)

